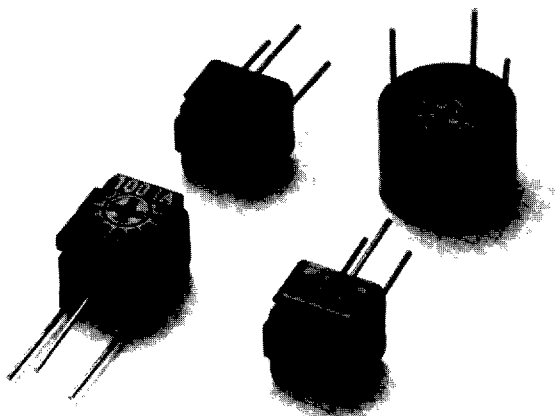


Model CT-6

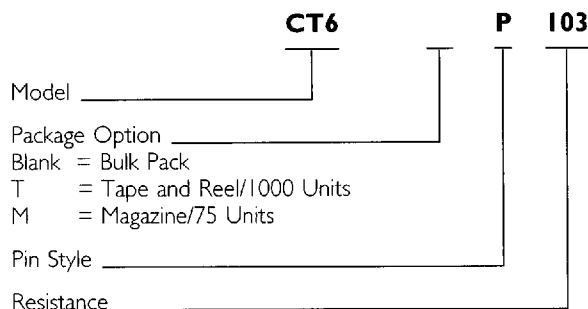
Single Turn Trimming Potentiometer 6 mm Square, Cermet



Features

- Sealed to Allow for Automatic Processing
- Precious Metal Alloy Contact
- Highly Automated Assembly
- Bulk or Tape and Reel Packaging

Part Number



Marking

Units Marked With Resistance Code and 2 Digit Date Code

Standard Resistance Values and Codes			
Ω	Code	Ω	Code
10	100	20 K	203
20	200	25 K	253
50	500	50 K	503
100	101	100 K	104
200	201	200 K	204
500	501	250 K	254
1 K	102	500 K	504
2 K	202	1 M	105
5 K	502	2 M	205
10 K	103		

SPECIFICATIONS

Electrical

- Resistance Range : 10 Ohms to 2 Meg. Ohms
- Resistance Tolerance : ± 10% Standard
- Temp. Coeff. Of Resistance : 50 Ohms to 2 Meg. ± 100 ppm, others ± 250 ppm.
- Power Rating : 1/2 Watt at 70°C
- Operating Voltage Max. : 200 VDC or Power Rating, whichever is less.
- Wiper Current Max. : 100 mA or power rating, whichever is less.
- Electrical Angle, Nominal : 220° Nominal.
- Electrical Continuity : Continuous over full mechanical range.
- End Resistance : 1% or 2 Ohms, whichever is greater.
- Resolution : Essentially infinite.
- Contact Resistance Variation : 1% or 3 Ohms, whichever is greater.
- Operating Temp. Range : -55°C to 125°C.
- Insulation Resistance, Min. : Min. 1000 Meg. at 500 VDC for 2 minutes.
- Dielectric Strength : 900 VAC rms, 1 minute, 1 milliamp max.

Mechanical

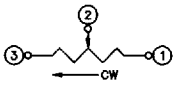
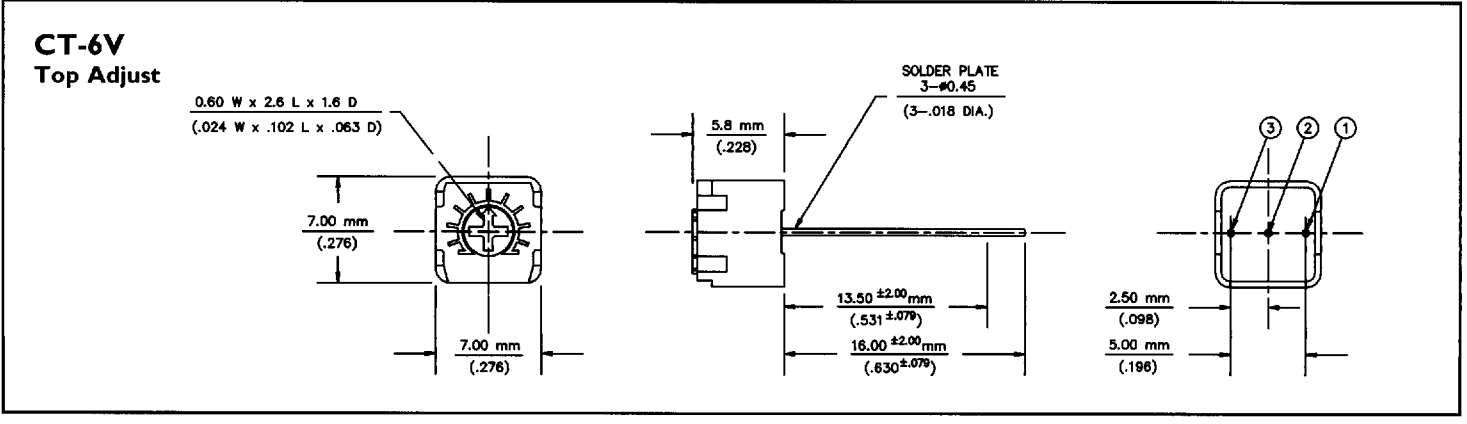
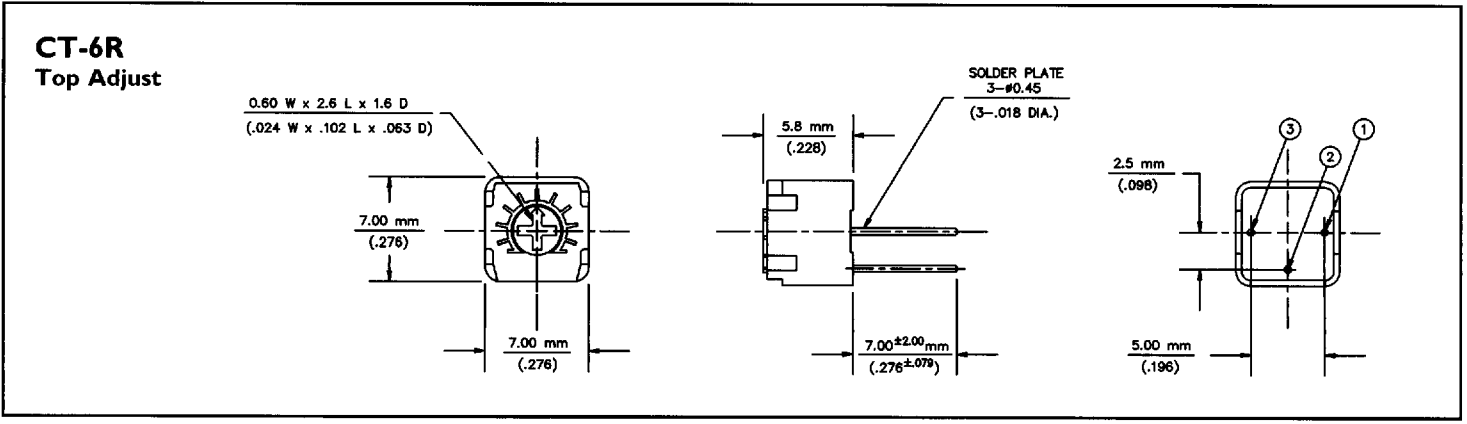
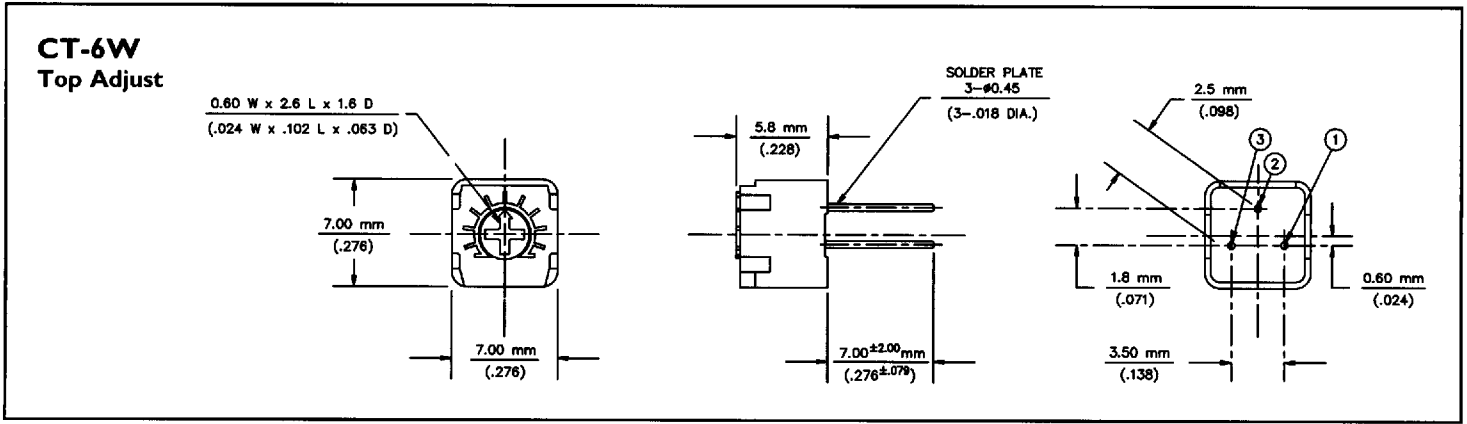
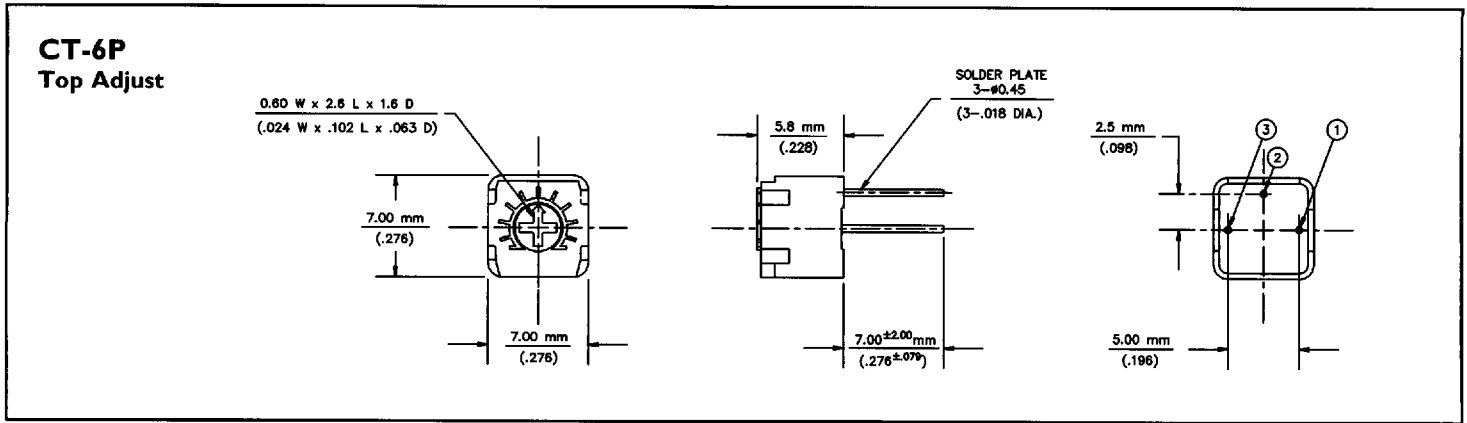
- Mechanical Angle, Nominal : 260° Nominal
- Operating Torque : 20 to 200 gram-cm (0.27 to 2.78 Oz-in.)
- Stop Strength, Min. : 500 gram-cm min. (6.94 Oz-in.)
- Rotational Life : 200 cycles (▲ R/R ≤ 2 Ohms +3%)
- Solderability : Mil-Std-202 Method 208
- Terminal Strength, Min. : 1 Kg

Environmental (MIL-R-22097)

- Thermal Shock:**
(-65°C to 125°C) ▲ R/R ≤ 1.00% ▲ SS ≤ 1.00%
- Humidity:**
(80 - 98% RH, 240 Hrs.) ▲ R/R ≤ 2.00%
- Mech. Shock:**
(100 g) ▲ R/R ≤ 1.00% ▲ SS ≤ 1.00%
- Vibration:**
(20 g, 10 to 2000 Hz.) ▲ R/R ≤ 1.00% ▲ SS ≤ 1.00%
- Low Temp. Operation:**
(-55°C, 2 Hrs.) ▲ R/R ≤ 2.00% ▲ SS ≤ 2.00%
- High Temp. Exposure:**
(125°C, 250 Hrs.) ▲ R/R ≤ 3.00% ▲ SS ≤ 2.00%
- Load Life:**
(70°C, 0.50 W, 1000 Hrs.) ▲ R/R ≤ 3.00% ▲ SS ≤ 1.00%
- Soldering Heat:**
(350°C, 3 Sec.) ▲ R/R ≤ 1.00%
- Immersion:**
Fluorocarbon Liquid, 85°C, 1 min. No Leaks

CT-6

Single Turn Sealed Cermet



Metric

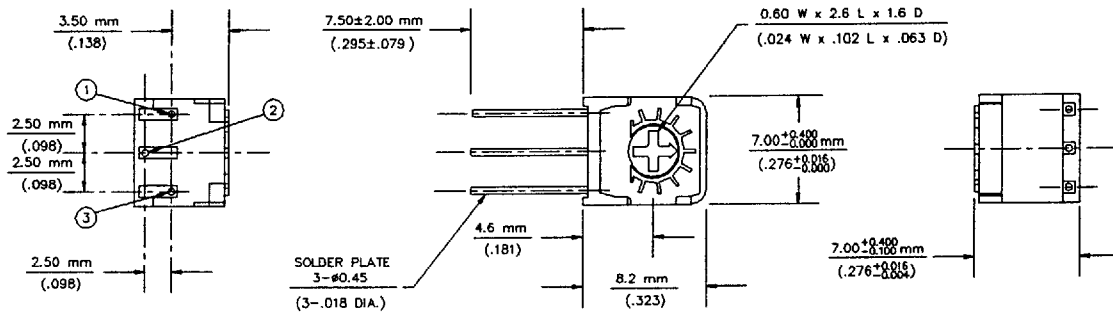
1. Dimensions are in millimeters (inches in parentheses are for reference only).
2. Tolerances unless otherwise specified +/- 0.30 mm (+/- .012 inches).
3. See packaging options on following pages for packaging dimensions.

D 12F ■ 9004121 0006307 091 ■

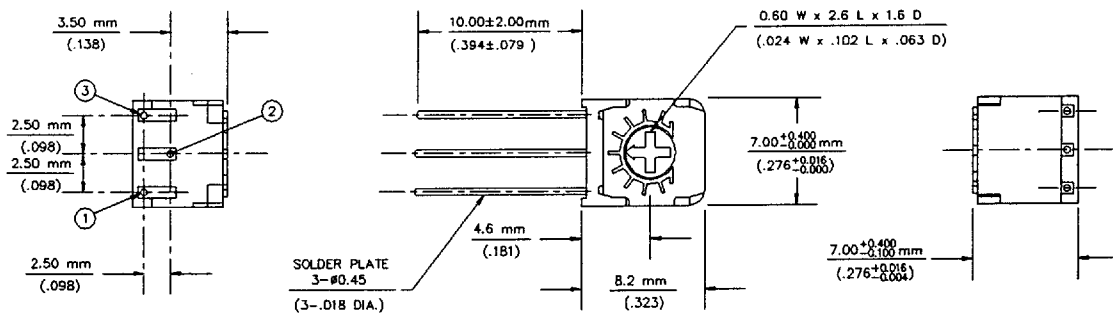
CT-6

Single Turn Sealed Cermet

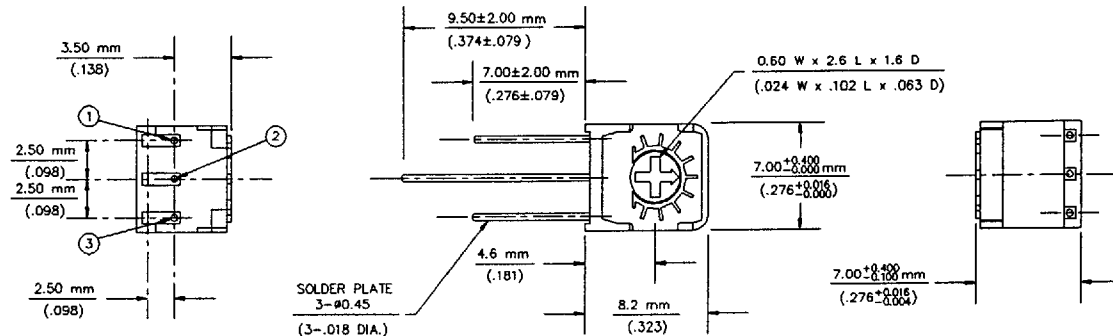
CT-6S Side Adjust



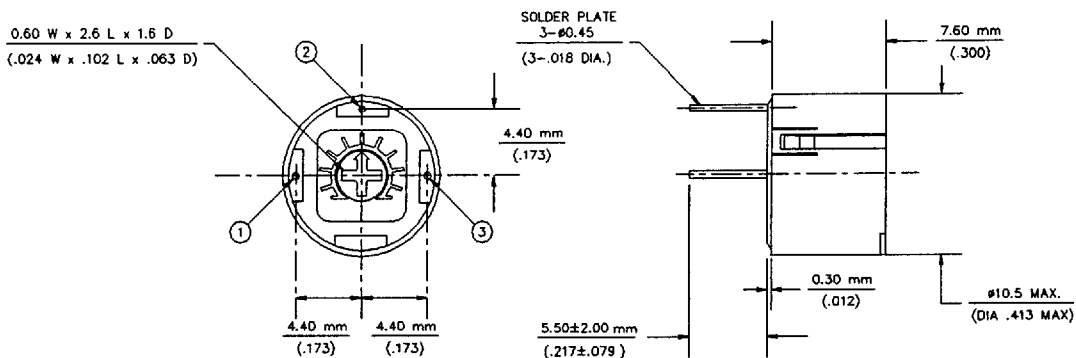
CT-6X Side Adjust



CT-6H Side Adjust

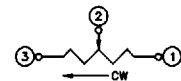


CT-6F Bottom Adjust



Metric

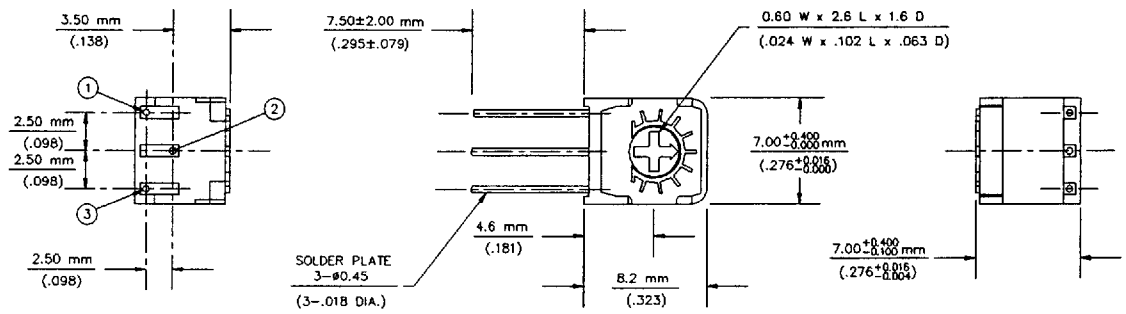
1. Dimensions are in millimeters (inches in parentheses are for reference only).
2. Tolerances unless otherwise specified +/- 0.30 mm (+/- .012 inches).
3. See packaging options on following pages for packaging dimensions.



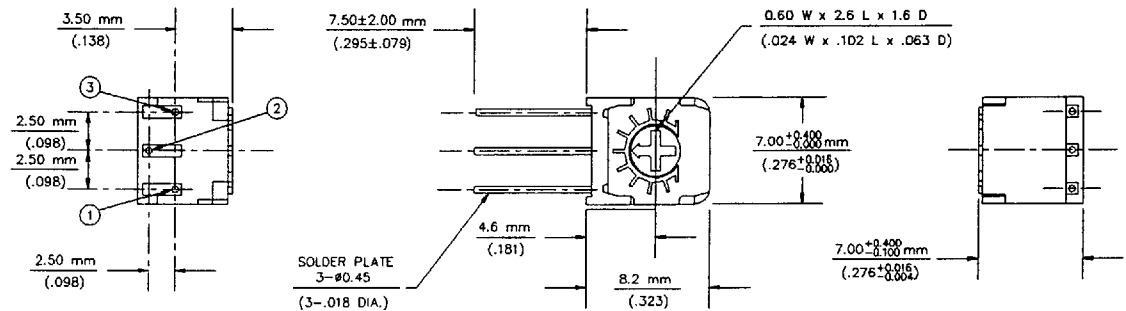
CT-6

Single Turn Sealed Cermet

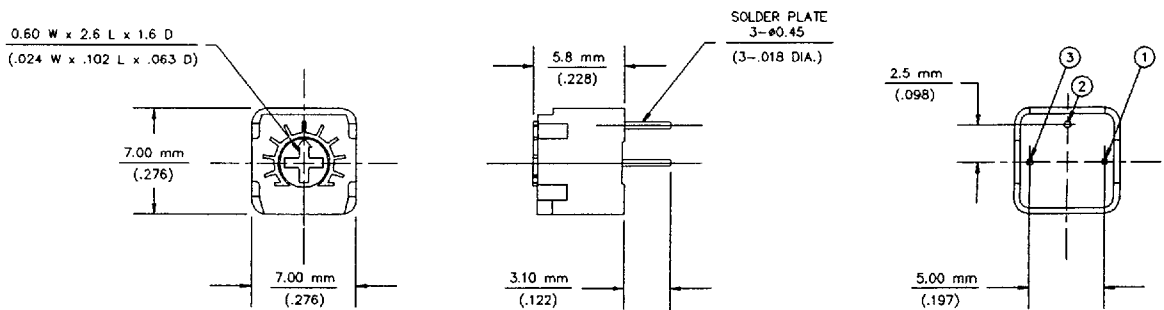
CT-6N Side Adjust



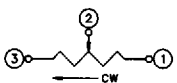
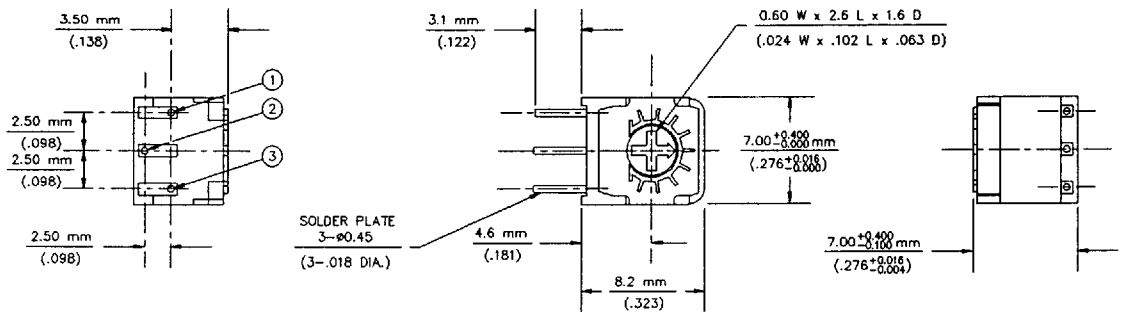
CT-6G Side Adjust Semi-Standard



CT-6MP Top Adjust Semi-Standard



CT-6MS Side Adjust Semi-Standard



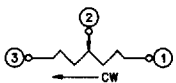
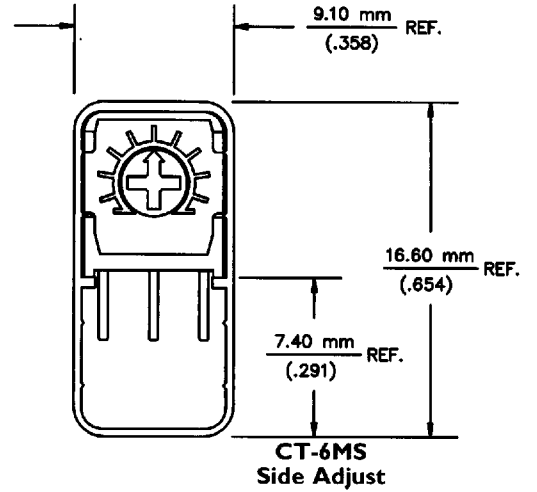
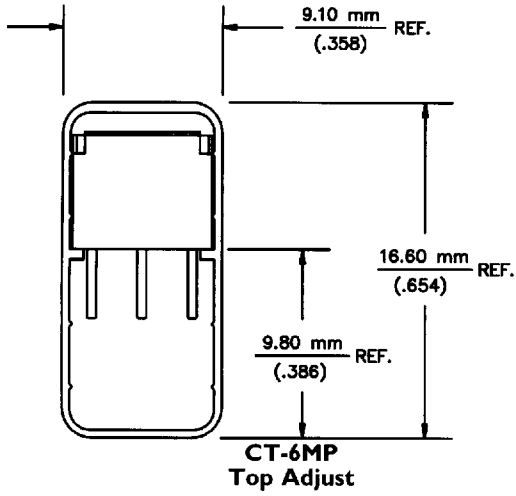
Metric

1. Dimensions are in millimeters (inches in parentheses are for reference only).
2. Tolerances unless otherwise specified +/- 0.30 mm (+/- .012 inches).
3. See packaging options on following pages for packaging dimensions.

CT-6

Single Turn Sealed Cemet

CT-6M Plastic Magazine



Metric

1. Dimensions are in millimeters (inches in parentheses are for reference only).
2. Tolerances unless otherwise specified +/- 0.30 mm (+/- .012 inches).

D 12F ■ 9004121 0006311 512 ■